

# VIG-100 Series

Industrial-grade Wireless IoT Gateway with Arm® Cortex®-A7 processor  
Rugged, Compact, Fanless, -25°C to 70°C Operation

- Industrial grade Arm® Cortex®-A7 900MHz processor
- 6V to 40V wide range DC power input
- -25°C to 70°C Operating Temperature
- Dual Ethernet with rugged M12 Connection
- 4 COM RS-232/422/485, 2 CAN Bus, 1 USB (OTG), 8 GPIO, 1 Console, 8 User Programming LED
- External SIM Socket supports WiFi/4G/LTE/GPRS/UMTS
- microSD Socket supports up to 128GB



Access Control



Smart Retail



Fleet Management



Factory Automation



# Specifications

## System

Processor	NXP i.MX6 UltraLite 900MHz Arm® Cortex®-A7 processor
Memory	1 DDR3L SDRAM, 512MB
Flash	1 NAND Flash, 512MB
EEPROM	1, up to 16KB
OS	Debian Stretch R01-4.9.11

## I/O Interface

Ethernet	- VIG-100/110/120 : 2 10/100Mbps Ethernet, RJ45 connector - VIG-100M/110M/120M : 2 10/100Mbps Ethernet, M12 connector
Serial	Up to 4 software configurable COM RS-232/422/485 (ESD 8KV) : - VIG-100/100M : 2 COM with RJ45 connector - VIG-110/110M/120/120M : 2 COM with RJ45 connector, 2 COM with DB9 connector
CAN Bus	- VIG-120/120M : 2 CAN Bus 2.0 A/B
USB	1 USB 2.0 supports OTG (External)
GPIO	- VIG-110/110M/120/120M : 8 GPIO
Console	1 independent debug console
Reset Button	2 for H/W Reset and User Programming
LED	10 for System Ready, Power Status and User Programming
Antenna	4 Antenna for WiFi/4G/LTE/GPRS/UMTS

## Expansion

Mini PCIe	1 Full-size for USB/External SIM Card
SIM Card	1 SIM Card Socket (External)

## Storage

microSD	1, supports SDHC, up to 128GB (External)
eMMC	Optional, up to 32GB

## Power

Power Input	6V to 40V, DC-in
Power Interface	3-pin Terminal Block : V+, V-, Frame Ground

## Others

Watchdog Timer	Reset : 0.5 to 128 sec./min. per step
----------------	---------------------------------------

## Mechanical

Dimensions	(W) 106mm x (L) 160mm x (H) 50mm (4.2" x 6.3" x 2.0")
Weight	0.6 kg (1.32 lb)
Mounting	- DIN Rail Mount (optional) - Wallmount by mounting bracket

## Environment

Operating Temp.	-25°C to 70°C (-13°F to 158°F)
Storage Temp.	-40°C to 85°C (-40°F to 185°F)
Humidity	5% to 95% Humidity, non-condensing
Relative Humidity	95% @ 70°C
Shock	- IEC 60068-2-27 - SSD : 50G @ wallmount, Half-sine, 11ms
Vibration	- IEC 60068-2-64 - SSD : 5Grms, 5Hz to 500Hz, 3 Axis
EMC	CE, FCC, EN50155, EN50121-3-2

# Order Information

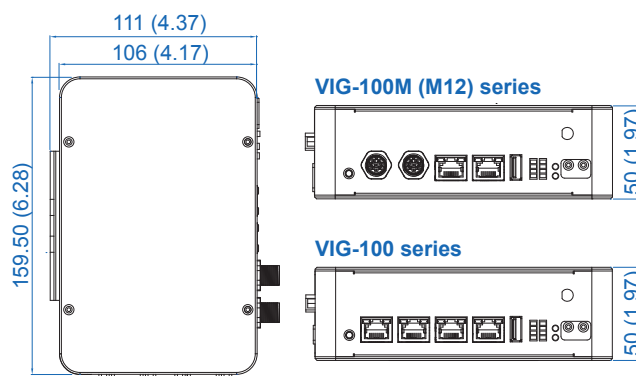
Model Name	CPU	LAN		USB	COM	CAN Bus	GPIO
		M12	RJ45				
VIG-120M	Arm® Cortex®-7	2	-	1	4	2	8
VIG-120	Arm® Cortex®-7	-	2	1	4	2	8
VIG-110M	Arm® Cortex®-7	2	-	1	4	-	8
VIG-110	Arm® Cortex®-7	-	2	1	4	-	8
VIG-100M	Arm® Cortex®-7	2	-	1	2	-	-
VIG-100	Arm® Cortex®-7	-	2	1	2	-	-

## Accessories

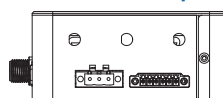
PWA-12W-US1	12W, 12V, 90V AC to 264V AC Power Adapter with 3-pin Terminal Block (US Type)
PWA-12W-EU	12W, 12V, 90V AC to 264V AC Power Adapter with 3-pin Terminal Block (EU Type)
DIN-RAIL	DIN Rail Kit
Serial Cable	RJ45 to DB9 Female Serial Cable, 100cm
4G Module	Mini PCIe 4G/GPS Module with Antenna

# Dimensions & Drawing

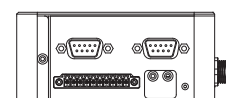
Unit : mm (inch)



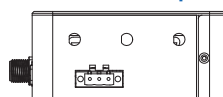
VIG-120M/120 Top Side



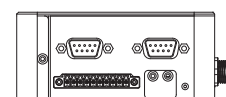
VIG-120M/120 Bottom Side



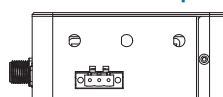
VIG-110M/110 Top Side



VIG-110M/110 Bottom Side



VIG-100M/100 Top Side



VIG-100M/100 Bottom Side

